

## NIMBUS LARGE CHANDELIER

A showstopper which has the same 'quiet luxury' characterised by CTO designs. Developed exclusively by our artisans where crystal like crushed glass is combined with refined metalwork.

### FINISH

satin brass with handmade glass  
CTO-01-150-0001

dark bronze with handmade glass  
CTO-01-150-0002

### SUSPENSION

drop rod with ceiling box

please specify the required overall drop from the ceiling to the bottom of the fitting

### BULBS

240v - 8 x E27, 60w max (or 8w LED 2700k)  
120v - 8 x E26, 60w max (or 8w LED 2700k)  
(no bulbs supplied)

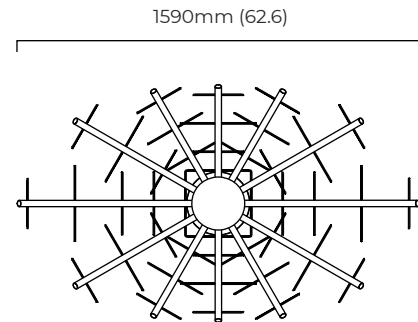
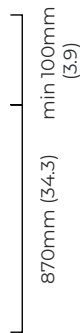
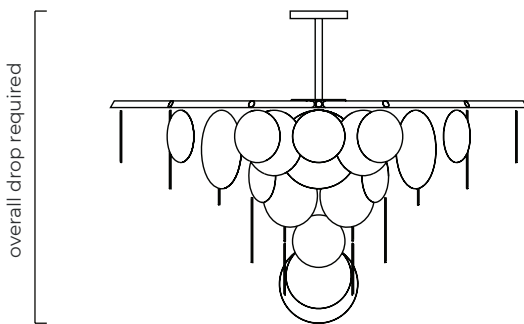
### WEIGHT

55kg (121.3lbs)  
additional support around junction box required for installation

### CERTIFICATION



E492308



mounting plate dimensions

